

**Specifications 规格**

**Material 物料**

Plastic Housing 塑胶外壳: Thermoplastic, UL94V-0, black  
 Contact Terminal 接触端子: Phosphor Bronze  
 Metallic Shell 金属外壳: Stainless Steel SUS304

**Plating 电镀**

Contact Terminal 接触端子:  
 Contact Area 接触区域: 3μ" Gold  
 Solder area: 3μ" Gold  
 Underplating 底层电镀: 50μ" Ni overall  
 Metallic Shell 金属外壳:  
 Solder area 焊接区域镀金 1μ" Gold  
 Underplating 底层电镀: 50μ" Ni overall

**Electrical 电气**

Voltage Rating 电压额定值: 50V  
 Current Rating 电流额定值: 1A max.  
 Operating Temperature 工作温度: -40°C to +85°C  
 Dielectric Withstanding Voltage 耐电压: 500V AC (60Sec min.)  
 Insulation Resistance 绝缘电阻: 1000 MΩ min. (Apply 500V DC)  
 Contact Resistance 接触电阻: 100 mΩ max.

**Mechanical & Environmental 机械 & 环境**

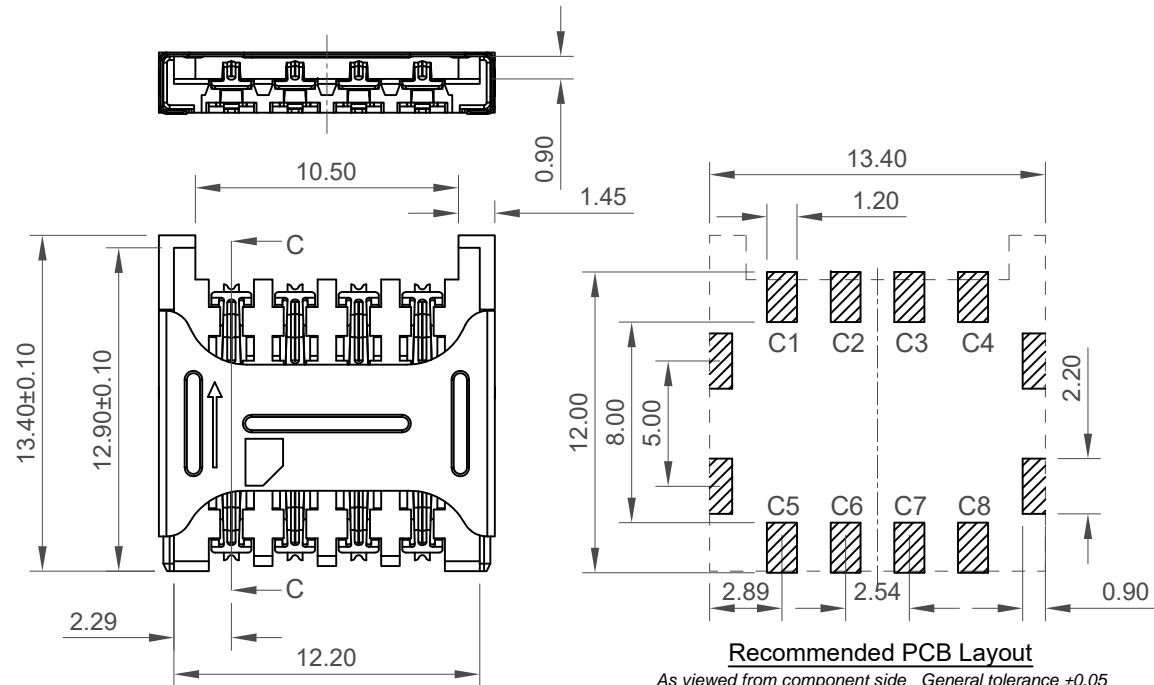
Duration 耐久性: 5000 cycles

**Ordering Grid**

**SIM7050** - **X** - **0** - **00** - **A** Request Samples and Quotation

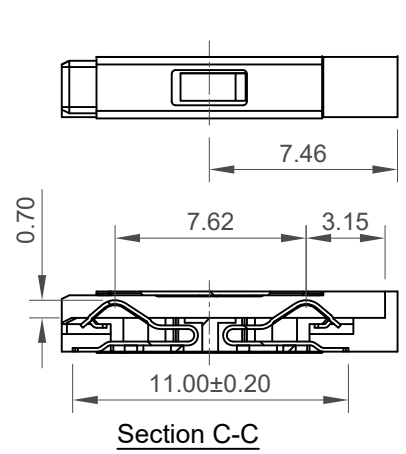
No. of Contacts  
 6 = 6 Pin  
 8 = 8 Pin  
 (contacts C4 & C8 removed from component)

**Packing Options**  
 A = Tape & Reel  
 (900 per Reel)



**Recommended PCB Layout**

As viewed from component side General tolerance ±0.05  
 Solder Area Component Outline



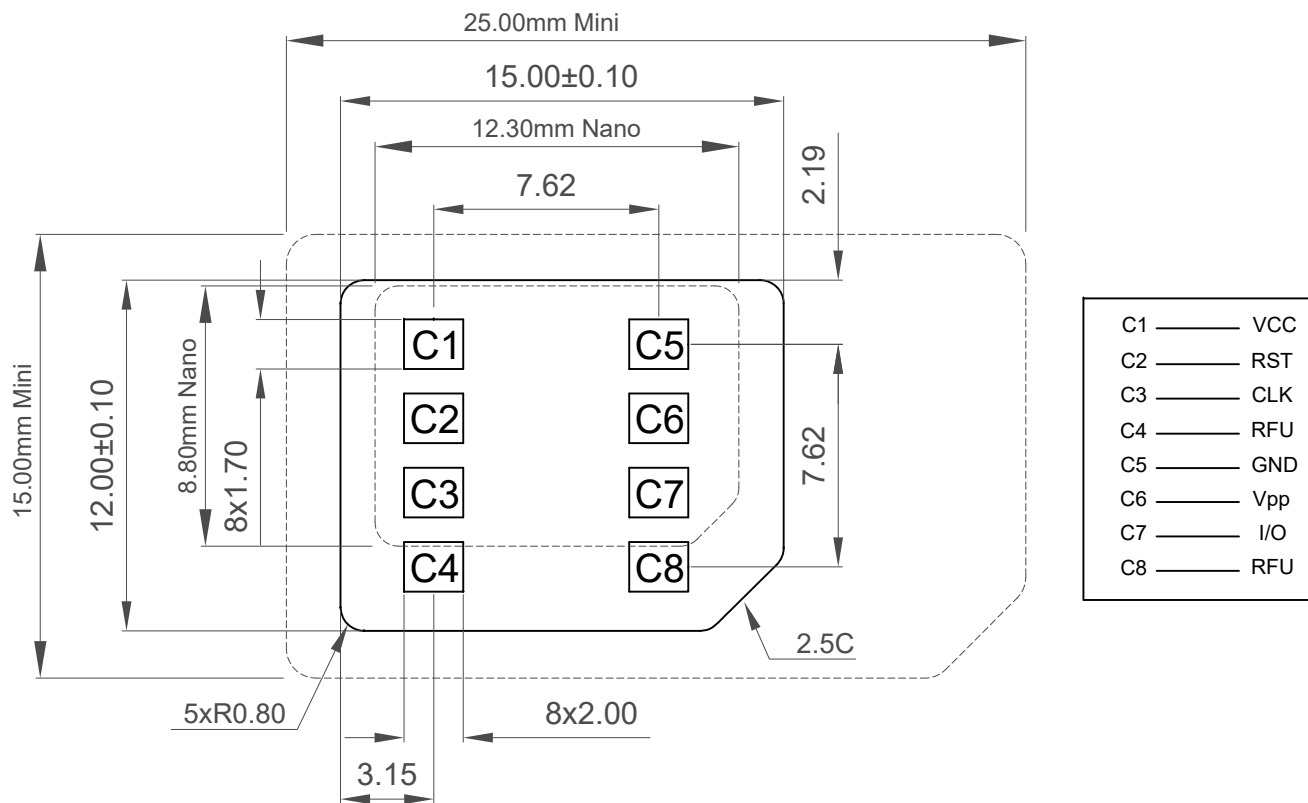
Part Number		Product Description	
SIM7050		Micro SIM Card Connector	
Drawing Date		Retainer Type, 6 & 8 Pin, SMT, Profile 2.45mm	
24th August 2012			
By	AJO	Tolerances (Except as Noted)	
Detail	SIM7050	Length	Angle
Revision	C	X.X ± 0.35	X.X° ± 3.0°
Date	20/04/15	X.XX ± 0.25	X.XX° ± 2.0°
		X.XXX ± 0.15	X.XXX° ± 2.0°
		Units: Metric (mm)	
		3rd Angle Projection	
		This drawing is confidential and copyright of Global Connector Technology, Ltd (GCT). This drawing must not be copied or disclosed without written consent. E & OE	

**GCT**  
 www.gct.co



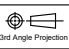

Not to Scale	Drawn By ASE	Sheet No. 1/3
--------------	--------------	---------------

# Micro SIM Reference

thickness =  $0.76 \pm 0.08$

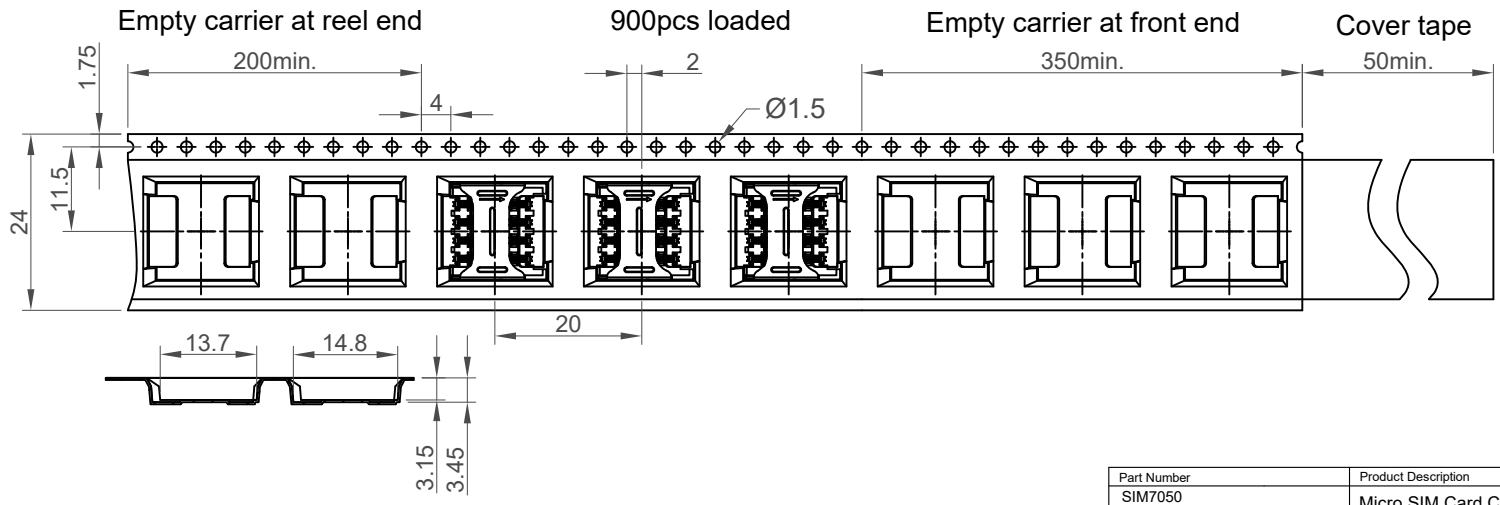
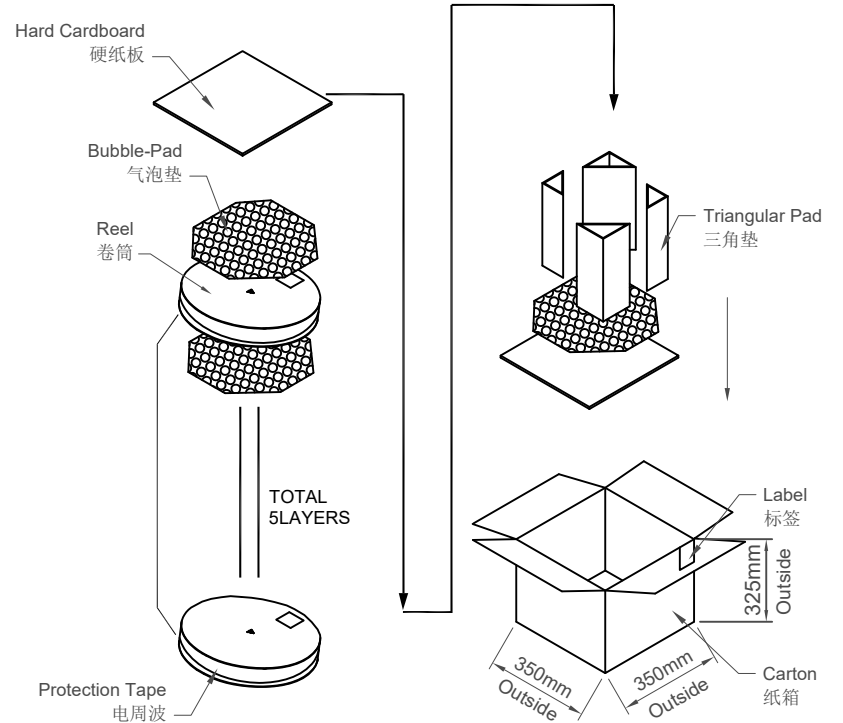
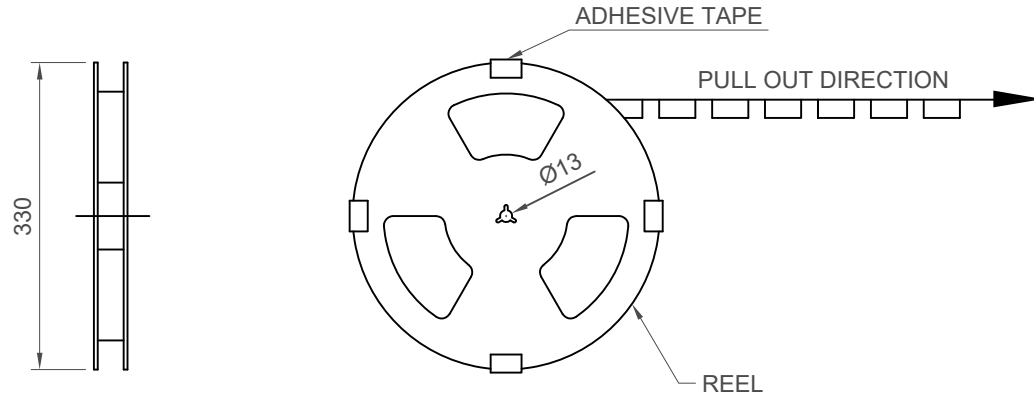


C1	VCC
C2	RST
C3	CLK
C4	RFU
C5	GND
C6	Vpp
C7	I/O
C8	RFU

Part Number		Product Description		 <a href="http://www.gct.co">www.gct.co</a>	
SIM7050		Micro SIM Card Connector			
Drawing Date		Retainer Type, 6 & 8 Pin, SMT, Profile 2.45mm			
24th August 2012					
By	AJO	Tolerances (Except as Noted)		Units:	
Detail	SIM7050	Length	Angle	Metric (mm)	 
Revision	C PCN				
Date	20/04/15				 This drawing is confidential and copyright of Global Connector Technology, Ltd (GCT). This drawing must not be copied or disclosed without written consent. E & OE
				Not to Scale	Drawn By ASE
					Sheet No. 2/3

**Notes:**

1. Reel Diameter.: 33CM.
2. 900 PCS per Reel, Gross Weight: 0.77KG.
3. 10 Reels per Full Carton, Gross Weight: 7.7KG



Part Number		Product Description	
SIM7050		Micro SIM Card Connector	
Drawing Date		Retainer Type, 6 & 8 Pin, SMT, Profile 2.45mm	
24th August 2012			
By	AJO	Tolerances (Except as Noted)	Units:
Detail	SIM7050	Length	Metric (mm)
	C PCN	X.X ± 0.15	
Revision	C	X.XX ± 0.10	± 1.5°
Date	20/04/15	X.XXX ± 0.05	3rd Angle Projection



This drawing is confidential and copyright of Global Connector Technology, Ltd (GCT). This drawing must not be copied or disclosed without written consent. E & OE



Not to Scale	Drawn By ASE	Sheet No. 3/3
--------------	--------------	---------------